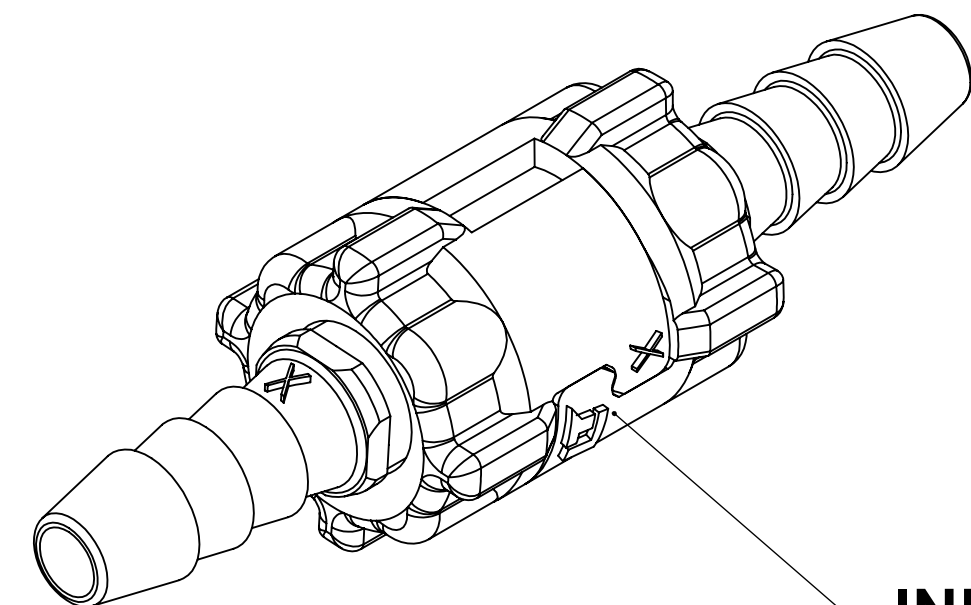
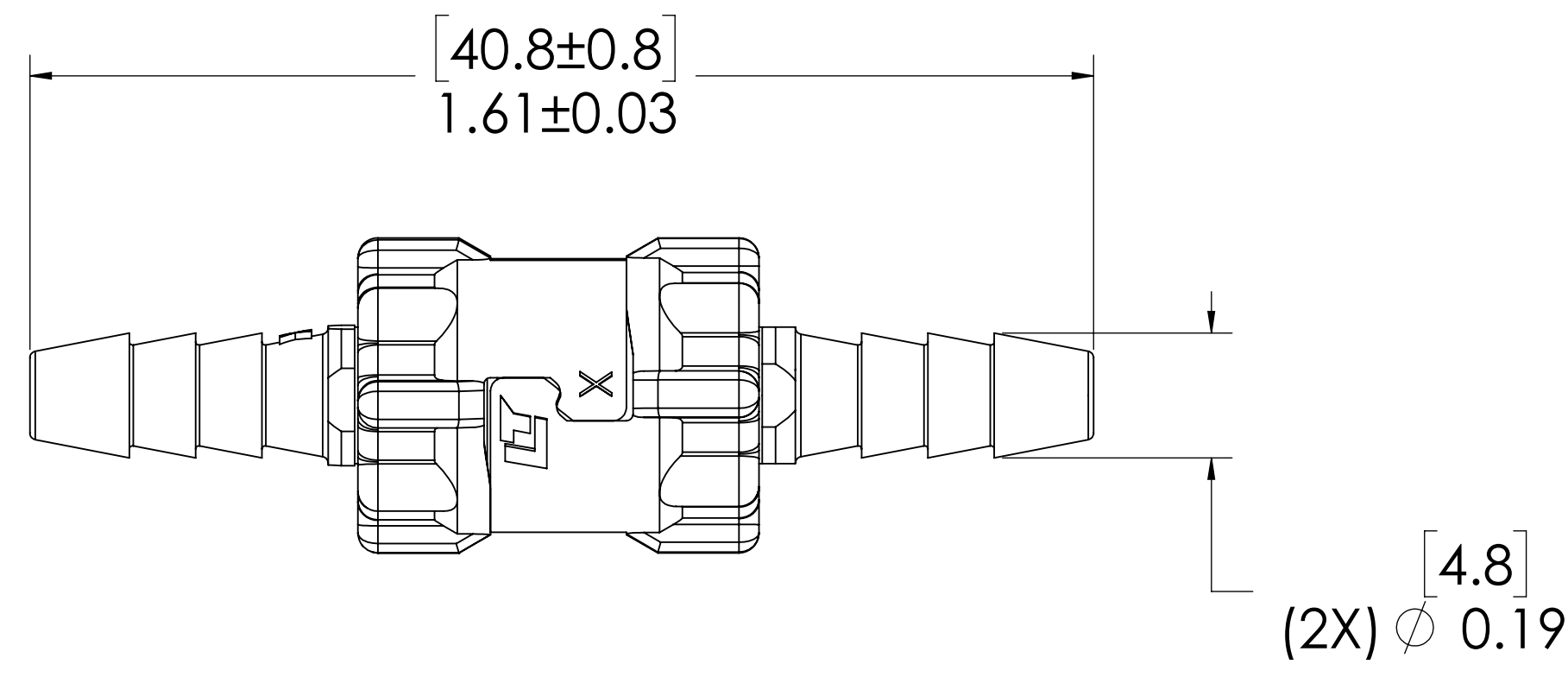
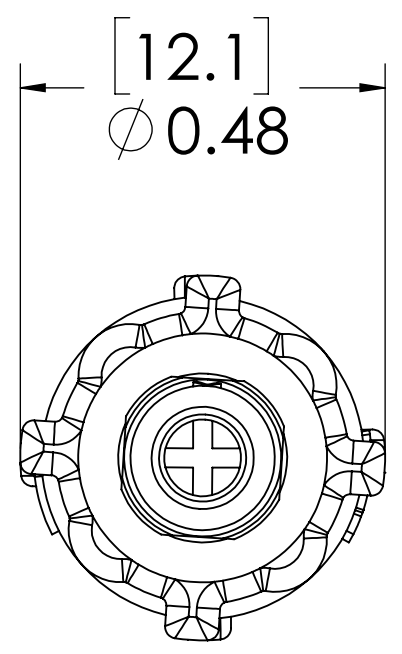


REVISIONS						
SHEET	ZONE	REV.	ECO	DESCRIPTION	DATE	APPROVED
1	ALL	A	50307	INITIAL RELEASE	2/18/2020	HRC




**INLINE COUPLING
(ACETAL)**



NOTES:

1. MATERIAL: ACETAL
2. COLOR: BLACK
3. O-RING MATERIAL: BUNA-N
4. O-RINGS LUBRICATED WITH FOOD GRADE SILICONE OIL, 350 CST.

FOR REFERENCE ONLY

<small>UNLESS OTHERWISE SPECIFIED: DIMENSIONS ARE IN INCHES TOLERANCES: FRACTIONAL ± 1/32 ANGULAR: MACH ± 0.5 BEND ± 2 ONE PLACE DECIMAL ± 0.1 TWO PLACE DECIMAL ± 0.01 THREE PLACE DECIMAL ± 0.005 TWO PLACE DUAL (mm) [±0.12]</small>	DRAWN	RDA	1/27/2020	 PART NO: 10ACV2-02BLK
	CHECKED	HRC	1/27/2020	
	ENG APPR.	HRC	2/18/20	<small>DESCRIPTION: LinkTech 10AC Series Inline Coupling, Valved, 1/8" HB BLACK ACETAL</small>
	MFG APPR.	BDB	2/18/20	
PRODUCTION	LS	2/18/20	<small>SIZE DWG. NO. REV</small> C 10AC100115 A	
<small>PROPRIETARY AND CONFIDENTIAL THE INFORMATION CONTAINED IN THIS DRAWING IS THE SOLE PROPERTY OF LINKTECH LLC. ANY REPRODUCTION OR DISCLOSURE IN PART OR AS A WHOLE WITHOUT THE WRITTEN PERMISSION OF LINKTECH LLC IS STRICTLY PROHIBITED.</small>	COMMENTS:		<small>SCALE: NTS WEIGHT: SHEET 1 OF 1</small>	